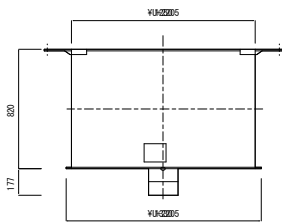
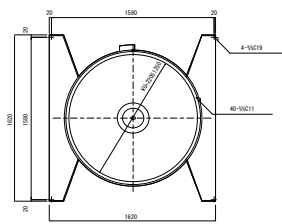
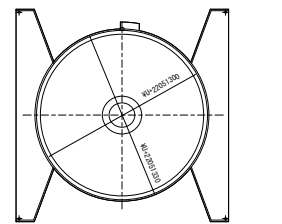
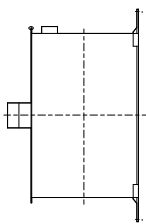
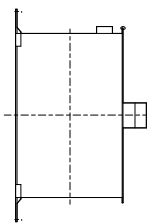
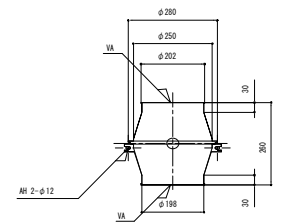
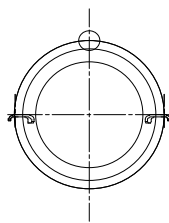
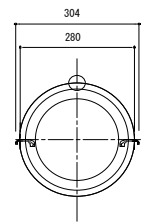
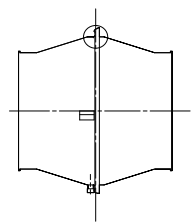
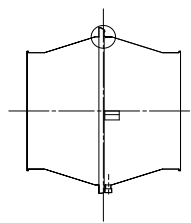
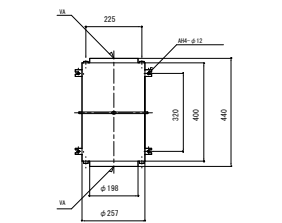
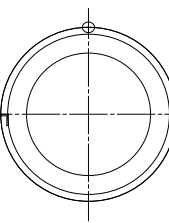
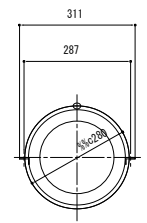
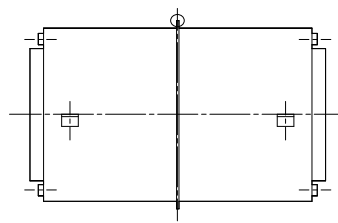
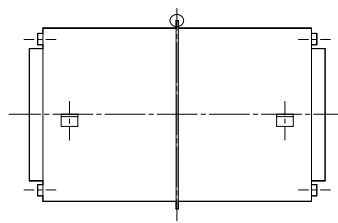
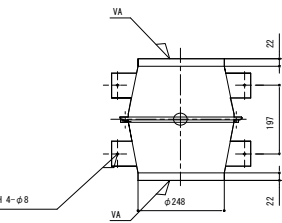
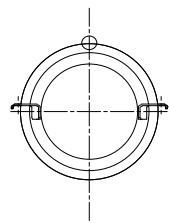
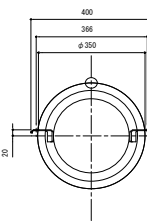
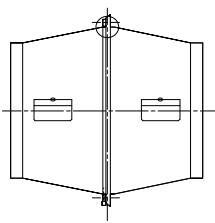
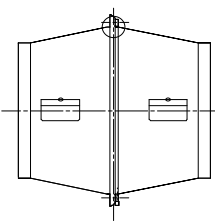
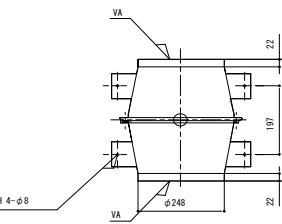
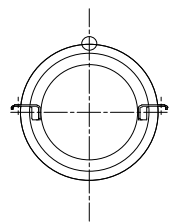
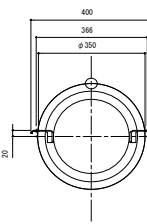
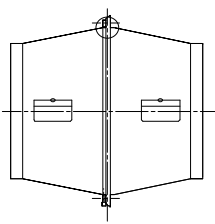
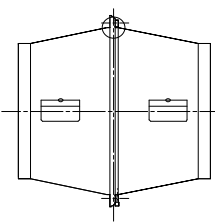
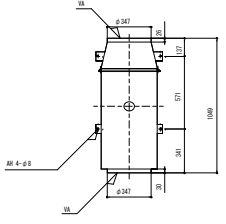
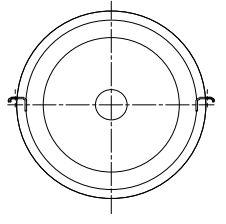
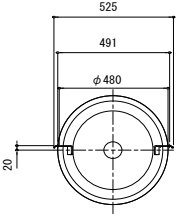
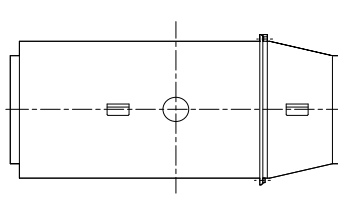
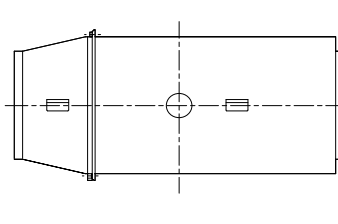
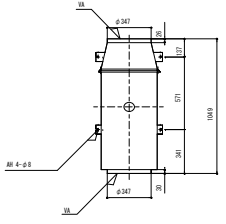
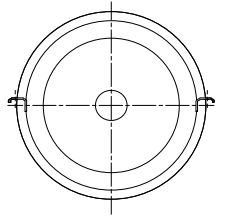
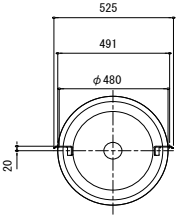
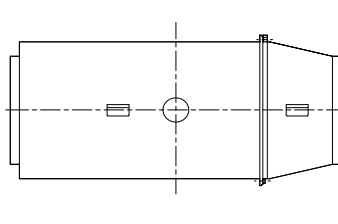
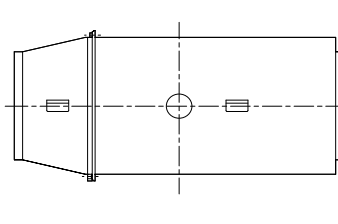
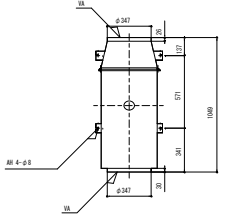
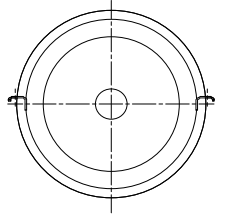
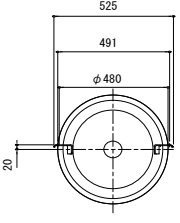
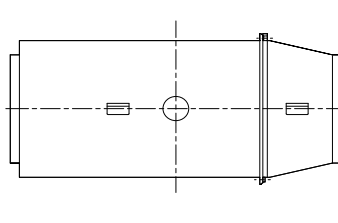
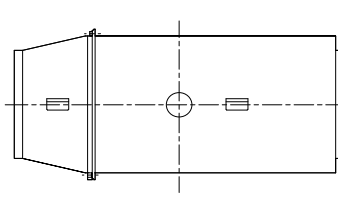
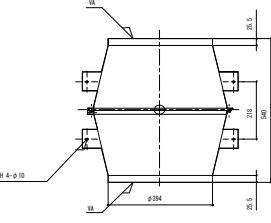
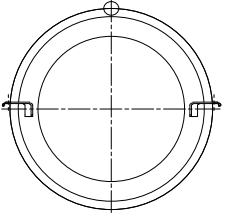
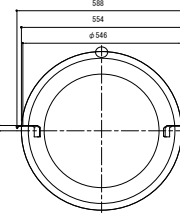
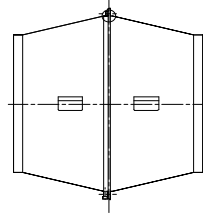
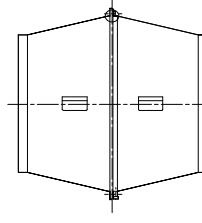
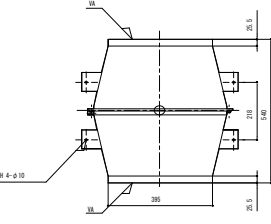
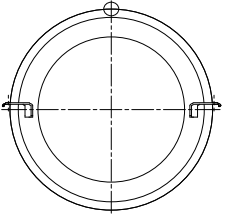
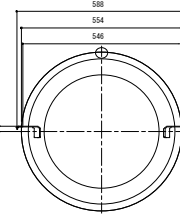
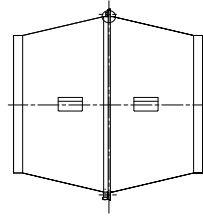
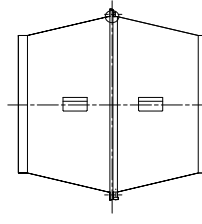


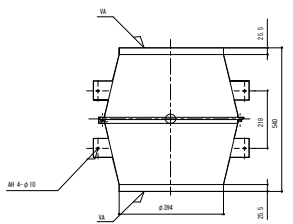
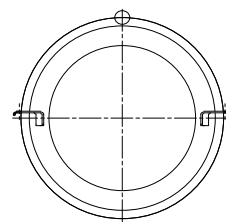
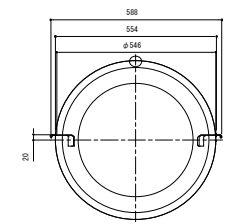
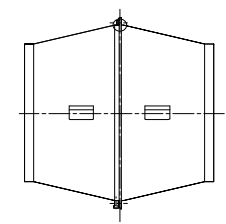
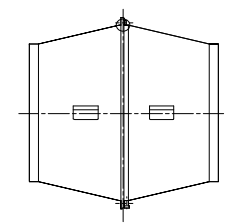
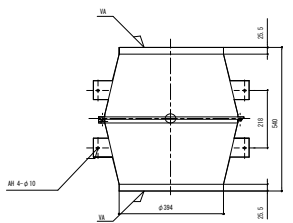
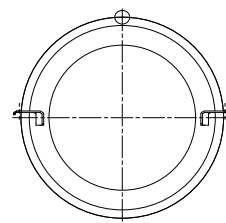
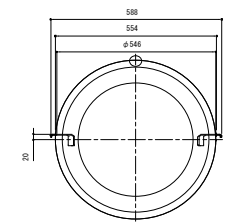
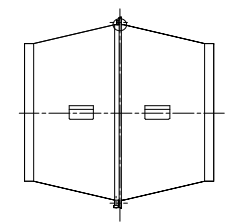
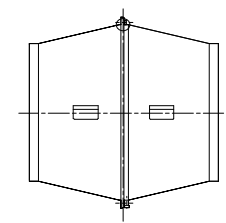
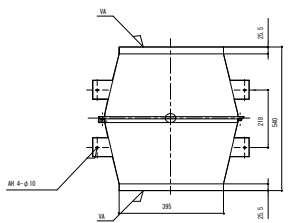
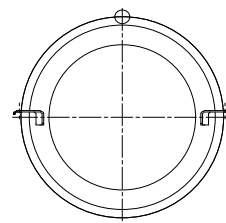
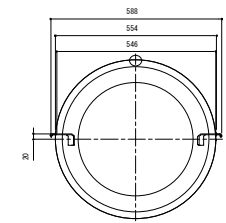
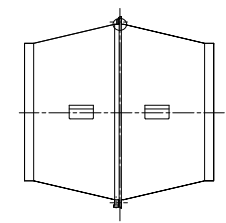
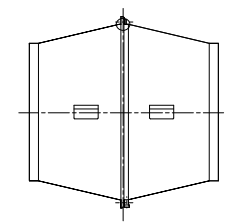
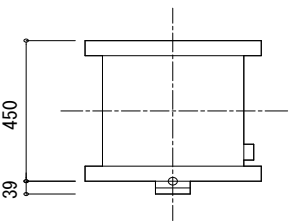
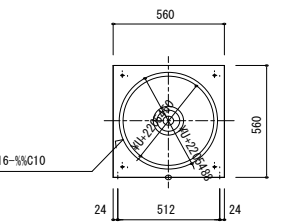
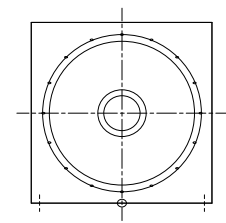
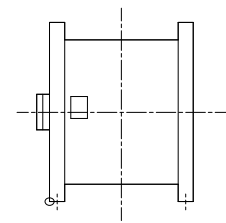
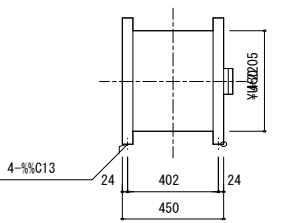
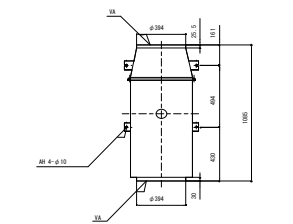
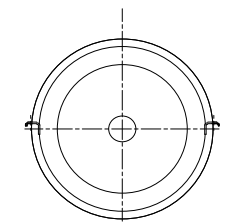
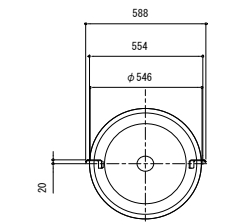
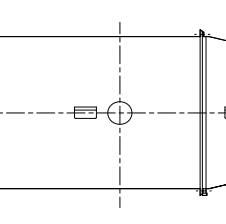
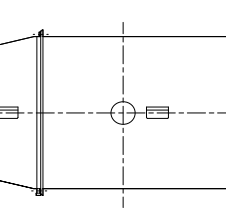
<p>10NDA001.DXF</p>	<p>10NDA002.DXF</p>	<p>10NDA003.DXF</p>	<p>10NDA004.DXF</p>	<p>10NDA005.DXF</p>
<p>10NDAV01.DXF</p>	<p>10NDAV02.DXF</p>	<p>10NDAV03.DXF</p>	<p>10NDAV04.DXF</p>	<p>10NDAV05.DXF</p>
<p>11NDA001.DXF</p>	<p>11NDA002.DXF</p>	<p>11NDA003.DXF</p>	<p>11NDA004.DXF</p>	<p>11NDA005.DXF</p>
<p>11NDAV01.DXF</p>	<p>11NDAV02.DXF</p>	<p>11NDAV03.DXF</p>	<p>11NDAV04.DXF</p>	<p>11NDAV05.DXF</p>
<p>12NDA001.DXF</p>	<p>12NDA002.DXF</p>	<p>12NDA003.DXF</p>	<p>12NDA004.DXF</p>	<p>12NDA005.DXF</p>

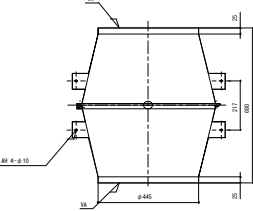
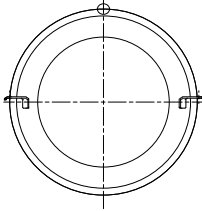
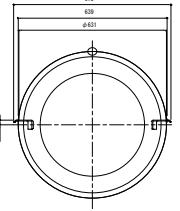
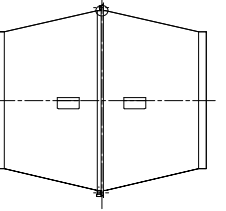
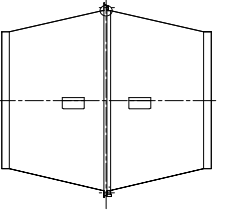
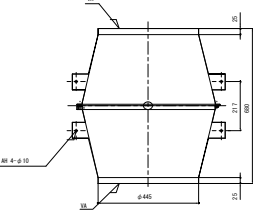
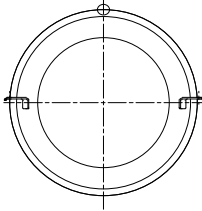
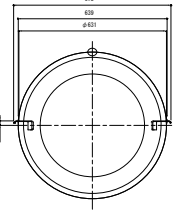
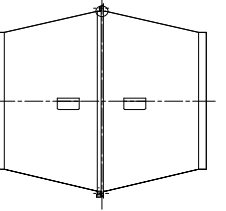
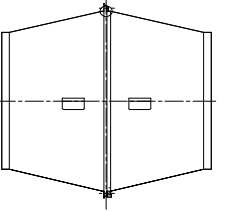
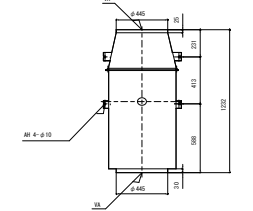
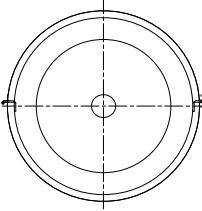
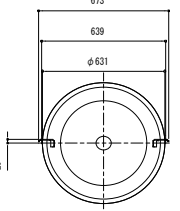
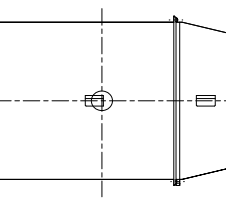
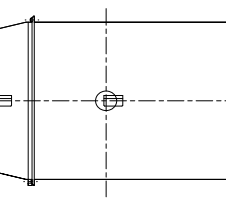
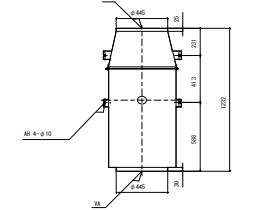
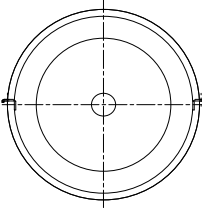
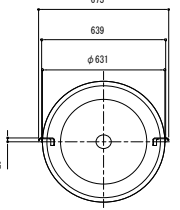
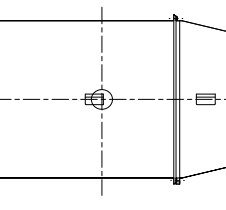
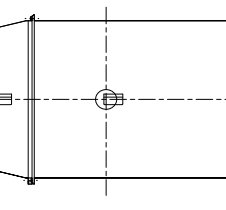
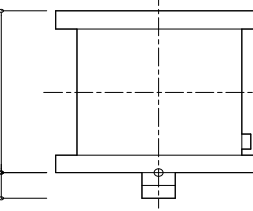
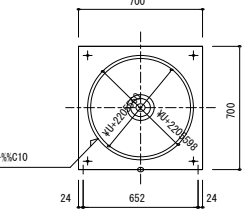
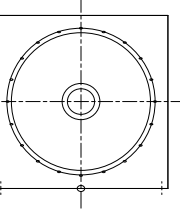
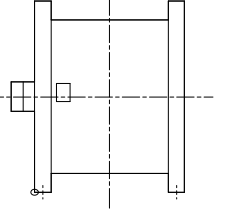
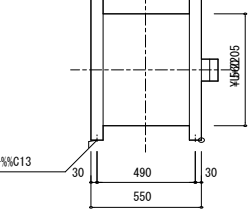
<p>12NDAV01.DXF</p> 	<p>12NDAV02.DXF</p> 	<p>12NDAV03.DXF</p> 	<p>12NDAV04.DXF</p> 	<p>12NDAV05.DXF</p> 
<p>25DSF101.DXF</p> 	<p>25DSF102.DXF</p> 	<p>25DSF103.DXF</p> 	<p>25DSF104.DXF</p> 	<p>25DSF105.DXF</p> 
<p>25USF101.DXF</p> 	<p>25USF102.DXF</p> 	<p>25USF103.DXF</p> 	<p>25USF104.DXF</p> 	<p>25USF105.DXF</p> 
<p>28DSM001.DXF</p> 	<p>28DSM002.DXF</p> 	<p>28DSM003.DXF</p> 	<p>28DSM004.DXF</p> 	<p>28DSM005.DXF</p> 
<p>28DSR001.DXF</p> 	<p>28DSR002.DXF</p> 	<p>28DSR003.DXF</p> 	<p>28DSR004.DXF</p> 	<p>28DSR005.DXF</p> 

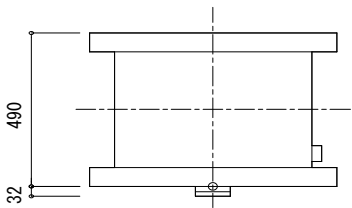
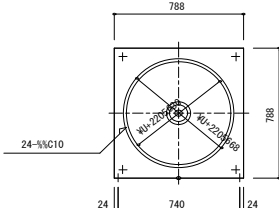
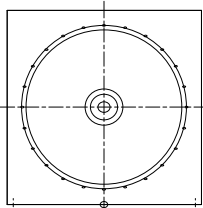
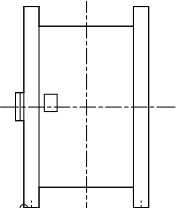
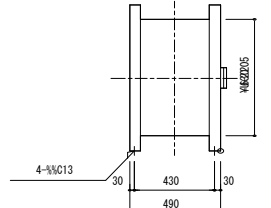
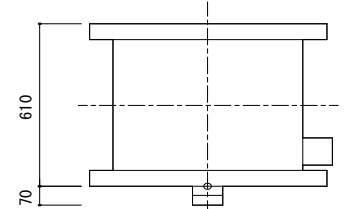
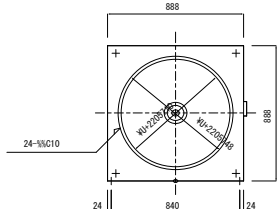
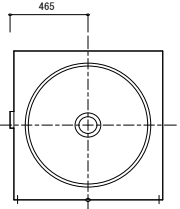
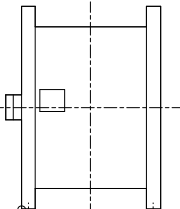
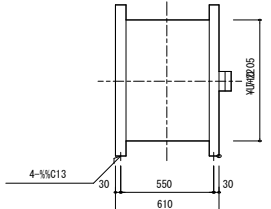
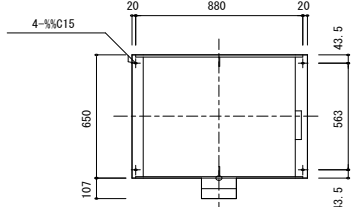
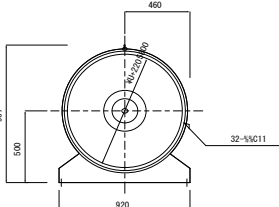
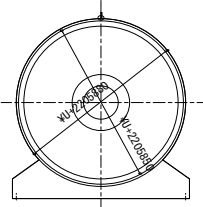
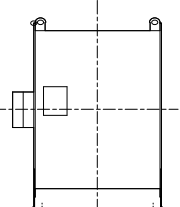
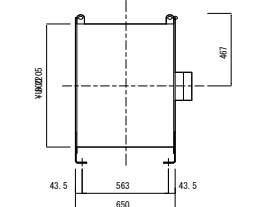
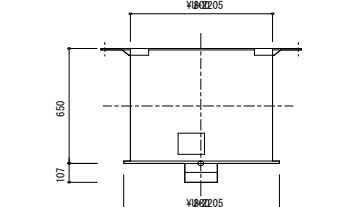
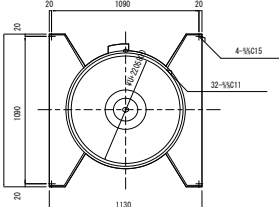
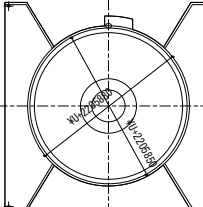
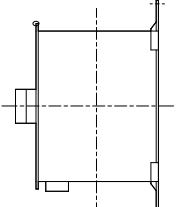
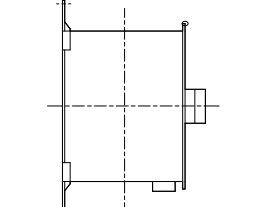
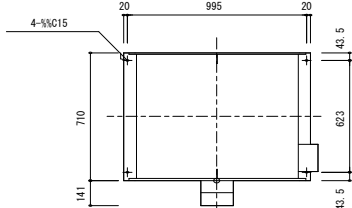
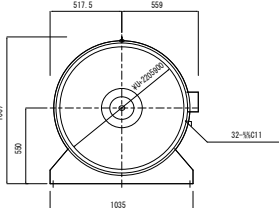
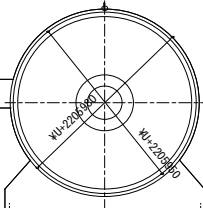
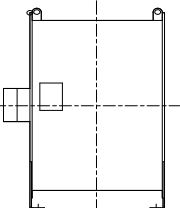
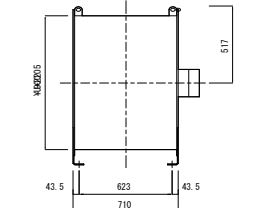
<p>28USM001.DXF</p>	<p>28USM002.DXF</p>	<p>28USM003.DXF</p>	<p>28USM004.DXF</p>	<p>28USM005.DXF</p>
<p>28USR001.DXF</p>	<p>28USR002.DXF</p>	<p>28USR003.DXF</p>	<p>28USR004.DXF</p>	<p>28USR005.DXF</p>
<p>35DSM001.DXF</p>	<p>35DSM002.DXF</p>	<p>35DSM003.DXF</p>	<p>35DSM004.DXF</p>	<p>35DSM005.DXF</p>
<p>35USM001.DXF</p>	<p>35USM002.DXF</p>	<p>35USM003.DXF</p>	<p>35USM004.DXF</p>	<p>35USM005.DXF</p>
<p>40DSH001.DXF</p>	<p>40DSH002.DXF</p>	<p>40DSH003.DXF</p>	<p>40DSH004.DXF</p>	<p>40DSH005.DXF</p>

<p>40DSL001.DXF</p>	<p>40DSL002.DXF</p>	<p>40DSL003.DXF</p>	<p>40DSL004.DXF</p>	<p>40DSL005.DXF</p>
<p>40DTH001.DXF</p>	<p>40DTH002.DXF</p>	<p>40DTH003.DXF</p>	<p>40DTH004.DXF</p>	<p>40DTH005.DXF</p>
<p>40DTL001.DXF</p>	<p>40DTL002.DXF</p>	<p>40DTL003.DXF</p>	<p>40DTL004.DXF</p>	<p>40DTL005.DXF</p>
<p>40NDA001.DXF</p>	<p>40NDA002.DXF</p>	<p>40NDA003.DXF</p>	<p>40NDA004.DXF</p>	<p>40NDA005.DXF</p>
<p>40USH001.DXF</p>	<p>40USH002.DXF</p>	<p>40USH003.DXF</p>	<p>40USH004.DXF</p>	<p>40USH005.DXF</p>

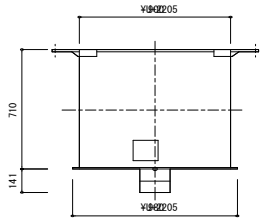
<p>40USL001.DXF</p> 	<p>40USL002.DXF</p> 	<p>40USL003.DXF</p> 	<p>40USL004.DXF</p> 	<p>40USL005.DXF</p> 
<p>40UTH001.DXF</p> 	<p>40UTH002.DXF</p> 	<p>40UTH003.DXF</p> 	<p>40UTH004.DXF</p> 	<p>40UTH005.DXF</p> 
<p>40UTL001.DXF</p> 	<p>40UTL002.DXF</p> 	<p>40UTL003.DXF</p> 	<p>40UTL004.DXF</p> 	<p>40UTL005.DXF</p> 
<p>45DSL001.DXF</p> 	<p>45DSL002.DXF</p> 	<p>45DSL003.DXF</p> 	<p>45DSL004.DXF</p> 	<p>45DSL005.DXF</p> 
<p>45DST001.DXF</p> 	<p>45DST002.DXF</p> 	<p>45DST003.DXF</p> 	<p>45DST004.DXF</p> 	<p>45DST005.DXF</p> 

<p>45DTH001.DXF</p> 	<p>45DTH002.DXF</p> 	<p>45DTH003.DXF</p> 	<p>45DTH004.DXF</p> 	<p>45DTH005.DXF</p> 
<p>45DTL001.DXF</p> 	<p>45DTL002.DXF</p> 	<p>45DTL003.DXF</p> 	<p>45DTL004.DXF</p> 	<p>45DTL005.DXF</p> 
<p>45DTT001.DXF</p> 	<p>45DTT002.DXF</p> 	<p>45DTT003.DXF</p> 	<p>45DTT004.DXF</p> 	<p>45DTT005.DXF</p> 
<p>45NDA001.DXF</p> 	<p>45NDA002.DXF</p> 	<p>45NDA003.DXF</p> 	<p>45NDA004.DXF</p> 	<p>45NDA005.DXF</p> 
<p>45USL001.DXF</p> 	<p>45USL002.DXF</p> 	<p>45USL003.DXF</p> 	<p>45USL004.DXF</p> 	<p>45USL005.DXF</p> 

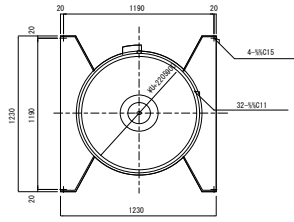
<p>55DTH001.DXF</p> 	<p>55DTH002.DXF</p> 	<p>55DTH003.DXF</p> 	<p>55DTH004.DXF</p> 	<p>55DTH005.DXF</p> 
<p>55DTL001.DXF</p> 	<p>55DTL002.DXF</p> 	<p>55DTL003.DXF</p> 	<p>55DTL004.DXF</p> 	<p>55DTL005.DXF</p> 
<p>55UTH001.DXF</p> 	<p>55UTH002.DXF</p> 	<p>55UTH003.DXF</p> 	<p>55UTH004.DXF</p> 	<p>55UTH005.DXF</p> 
<p>55UTL001.DXF</p> 	<p>55UTL002.DXF</p> 	<p>55UTL003.DXF</p> 	<p>55UTL004.DXF</p> 	<p>55UTL005.DXF</p> 
<p>56NDA001.DXF</p> 	<p>56NDA002.DXF</p> 	<p>56NDA003.DXF</p> 	<p>56NDA004.DXF</p> 	<p>56NDA005.DXF</p> 

<p>63NDA001.DXF</p> 	<p>63NDA002.DXF</p> 	<p>63NDA003.DXF</p> 	<p>63NDA004.DXF</p> 	<p>63NDA005.DXF</p> 
<p>71NDA001.DXF</p> 	<p>71NDA002.DXF</p> 	<p>71NDA003.DXF</p> 	<p>71NDA004.DXF</p> 	<p>71NDA005.DXF</p> 
<p>80NDA001.DXF</p> 	<p>80NDA002.DXF</p> 	<p>80NDA003.DXF</p> 	<p>80NDA004.DXF</p> 	<p>80NDA005.DXF</p> 
<p>80NDAV01.DXF</p> 	<p>80NDAV02.DXF</p> 	<p>80NDAV03.DXF</p> 	<p>80NDAV04.DXF</p> 	<p>80NDAV05.DXF</p> 
<p>90NDA001.DXF</p> 	<p>90NDA002.DXF</p> 	<p>90NDA003.DXF</p> 	<p>90NDA004.DXF</p> 	<p>90NDA005.DXF</p> 

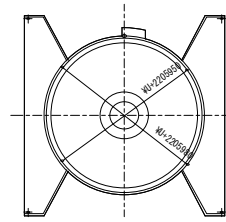
90NDAV01.DXF



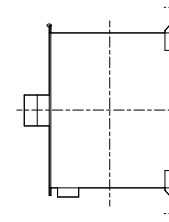
90NDAV02.DXF



90NDAV03.DXF



90NDAV04.DXF



90NDAV05.DXF

