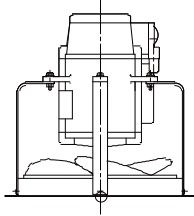
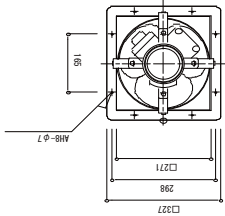
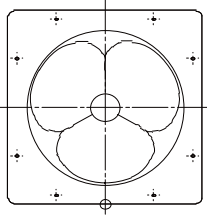
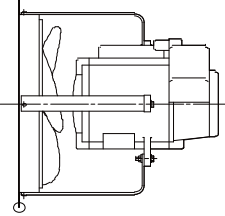
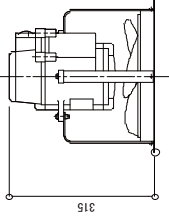
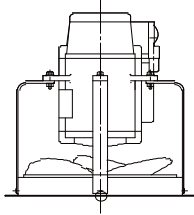
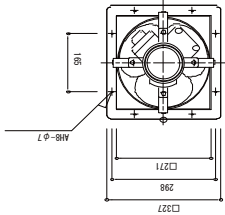
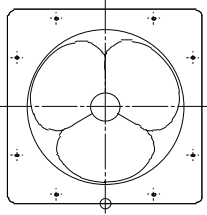
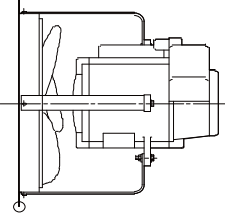
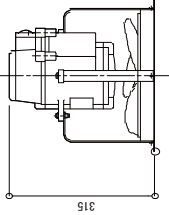
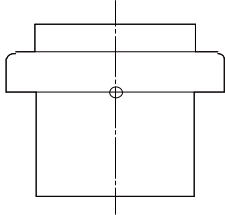
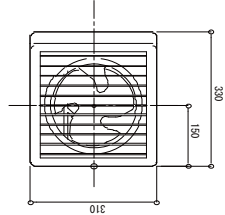
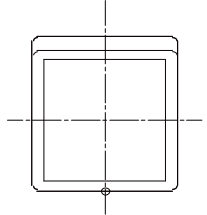
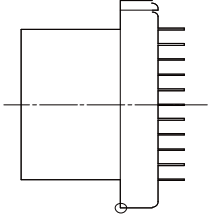
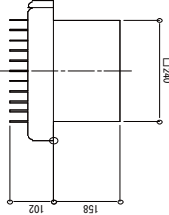
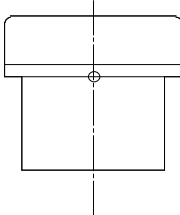
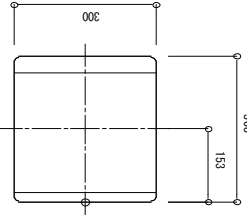
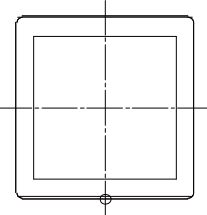
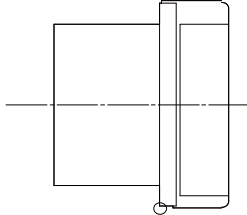
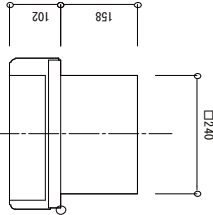
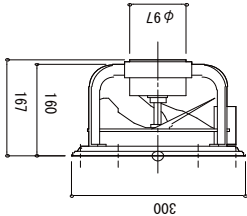
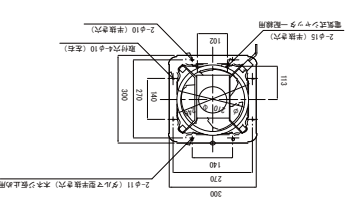
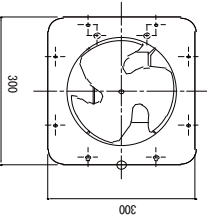
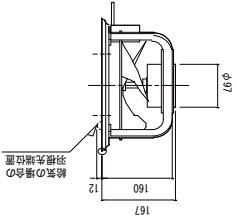
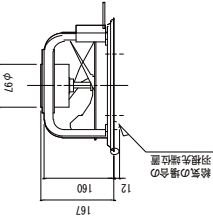
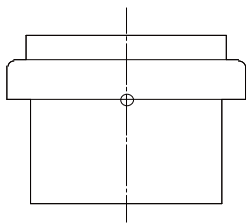
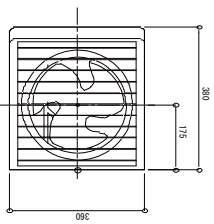
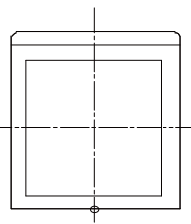
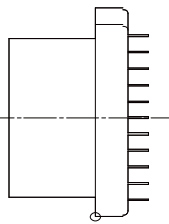
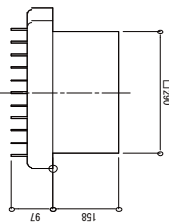
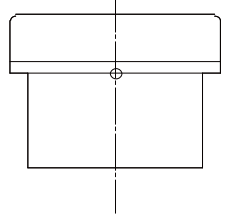
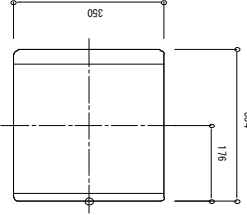
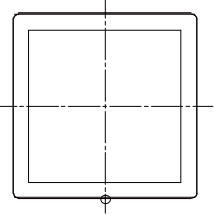
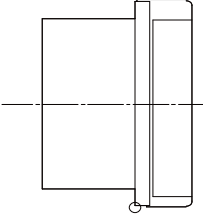
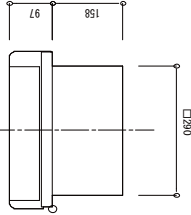
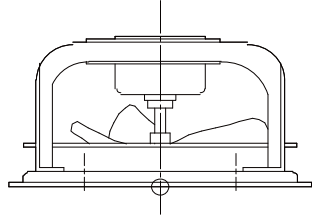
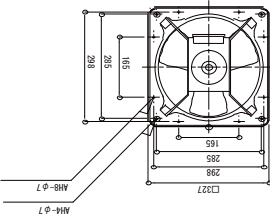
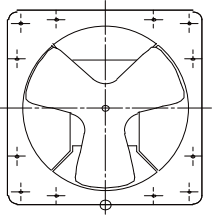
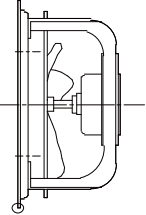
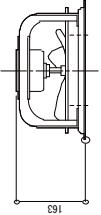
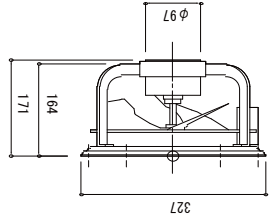
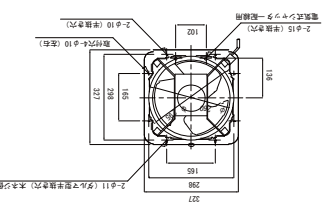
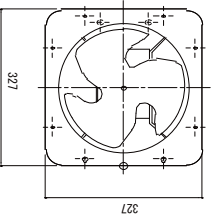
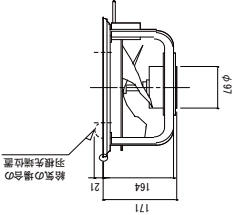
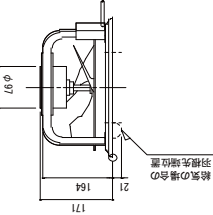
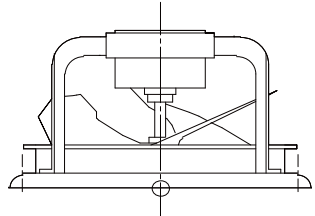
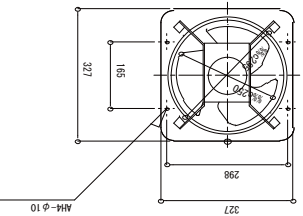
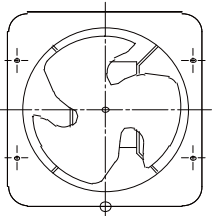
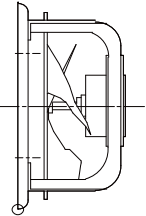
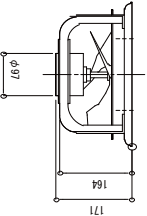
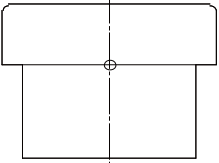
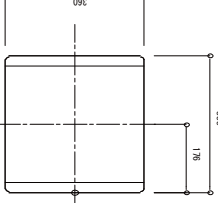
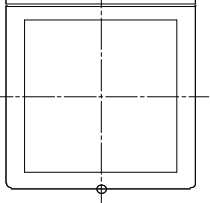
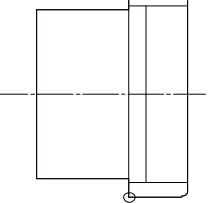
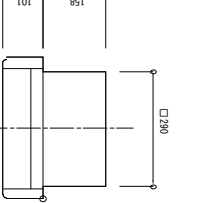
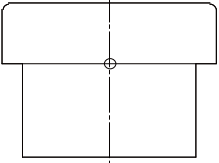
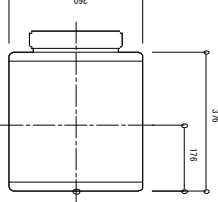
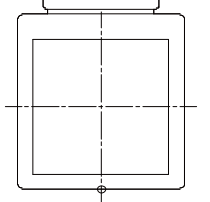
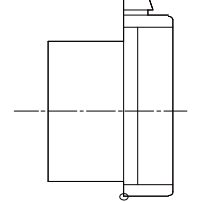
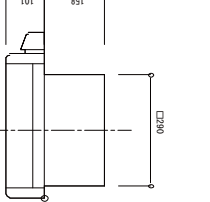
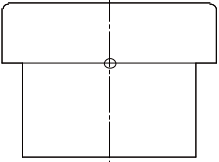
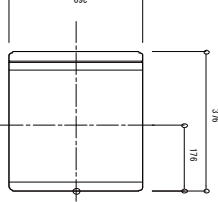
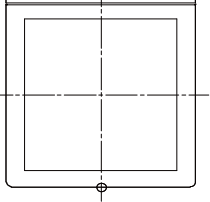
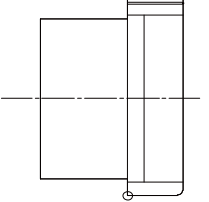
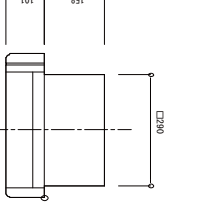
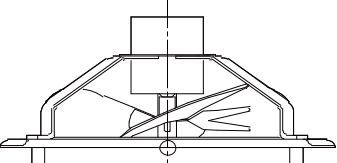
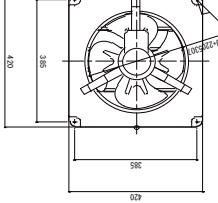
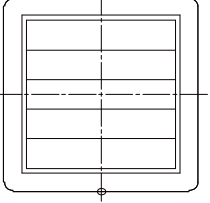
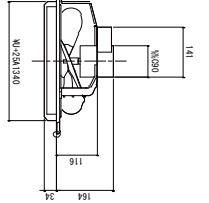
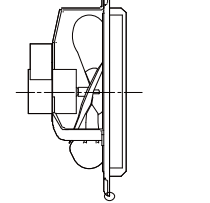
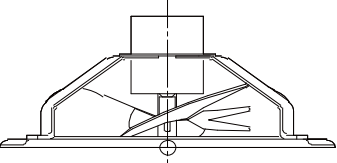
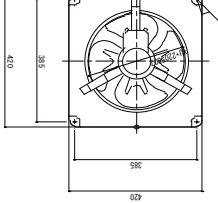
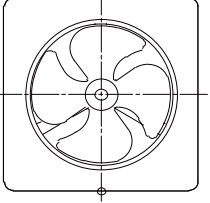
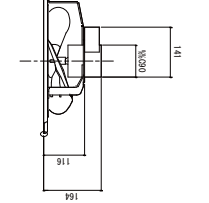
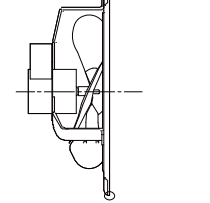


105KTS31.DXF	105KTS31.DXF				105KTU31.DXF				105KTU32.DXF				105KTS32.DXF				105KTU33.DXF				105KTS33.DXF				105KTU34.DXF				105KTS34.DXF				105KTU35.DXF				105KTS35.DXF				105KTU41.DXF				105KTU42.DXF				105KTU43.DXF				105KTU44.DXF				105KTU45.DXF				206SB301.DXF				206SB302.DXF				206SB303.DXF				206SB304.DXF				206SB305.DXF				206SU301.DXF				206SU302.DXF				206SU303.DXF				206SU304.DXF				206SU305.DXF			
--------------	--------------	--	--	--	--------------	--	--	--	--------------	--	--	--	--------------	--	--	--	--------------	--	--	--	--------------	--	--	--	--------------	--	--	--	--------------	--	--	--	--------------	--	--	--	--------------	--	--	--	--------------	--	--	--	--------------	--	--	--	--------------	--	--	--	--------------	--	--	--	--------------	--	--	--	--------------	--	--	--	--------------	--	--	--	--------------	--	--	--	--------------	--	--	--	--------------	--	--	--	--------------	--	--	--	--------------	--	--	--	--------------	--	--	--	--------------	--	--	--	--------------	--	--	--

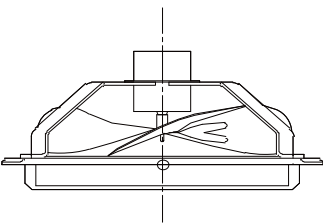
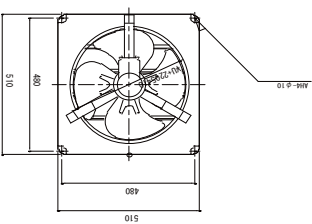
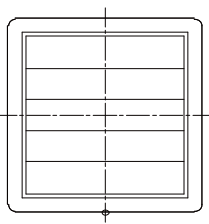
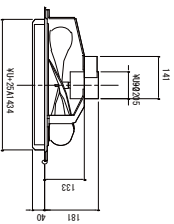
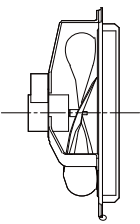
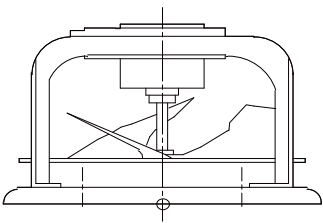
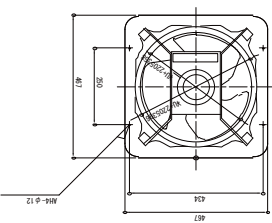
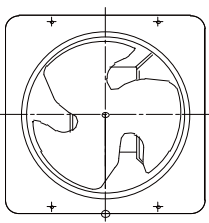
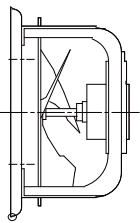
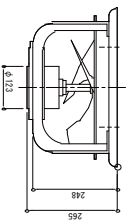
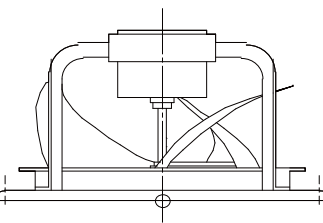
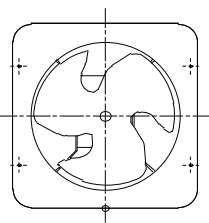
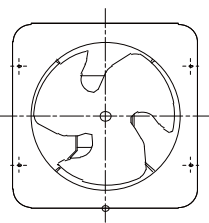
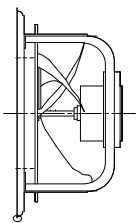
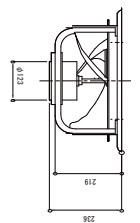
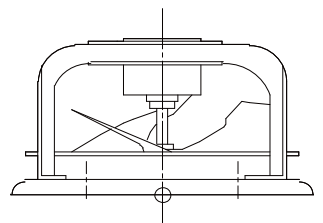
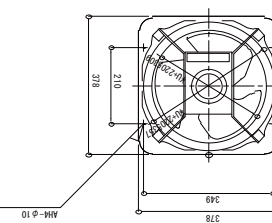
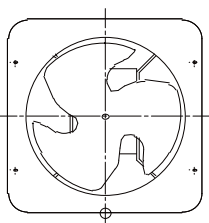
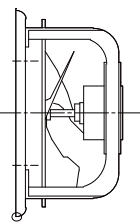
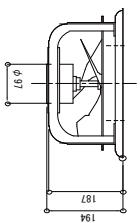
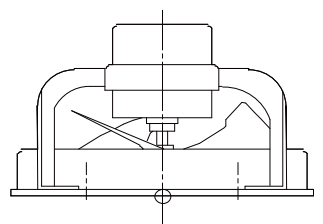
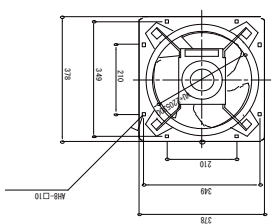
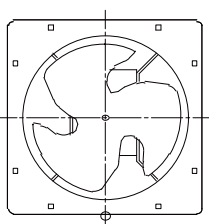
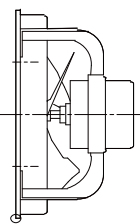
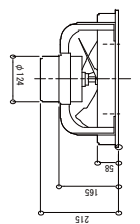





				
				
				
				
				
20G SUD01 DXF	20G SUD02 DXF	20G SUD03 DXF	20G SUD04 DXF	20G SUD05 DXF
25G SBS31 DXF	25G SBS32 DXF	25G SBS33 DXF	25G SBS34 DXF	25G SBS35 DXF
25G SB301 DXF	25G SB302 DXF	25G SB303 DXF	25G SB304 DXF	25G SB305 DXF
20LSG001 DXF	20LSG002 DXF	20LSG003 DXF	20LSG004 DXF	20LSG005 DXF
20LSEW C1 DXF	20LSEW C2 DXF	20LSEW C3 DXF	20LSEW C4 DXF	20LSEW C5 DXF
20G SUD01 DXF	20G SUD02 DXF	20G SUD03 DXF	20G SUD04 DXF	20G SUD05 DXF

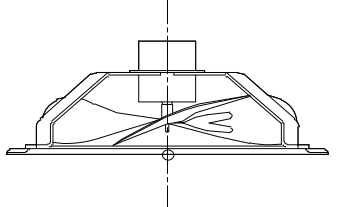
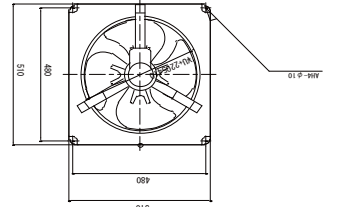
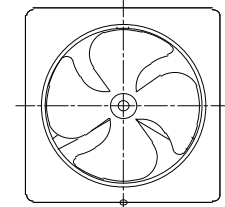
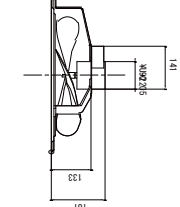
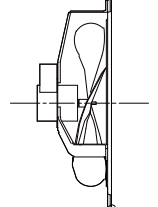
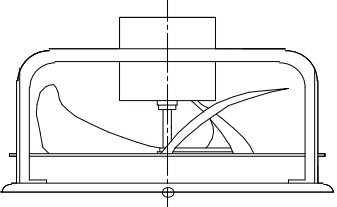
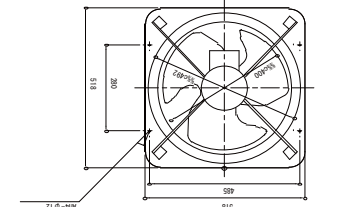
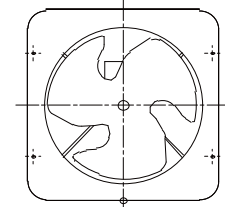
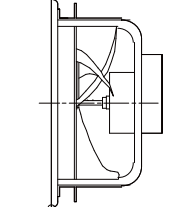
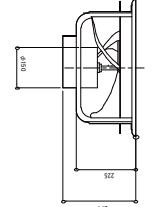
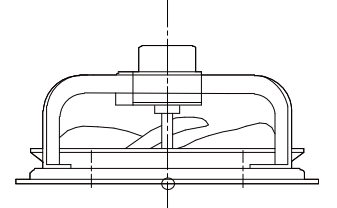
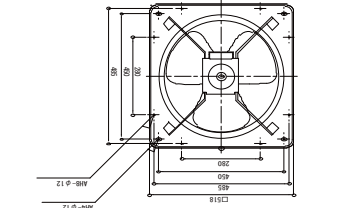
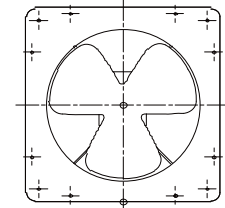
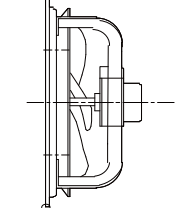
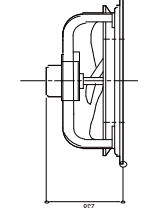
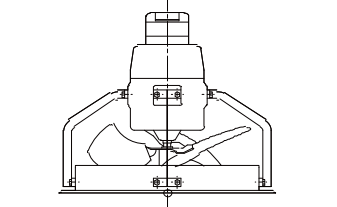
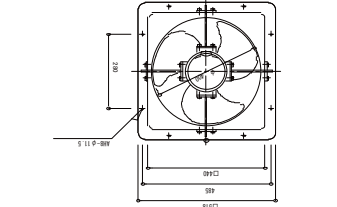
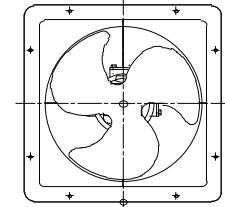
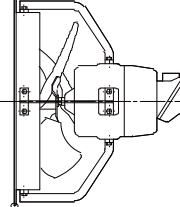
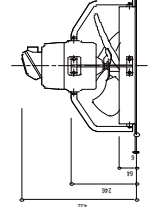
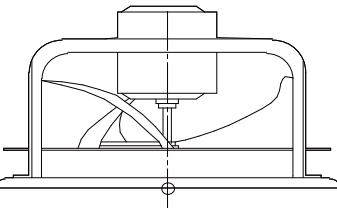
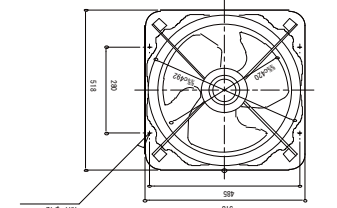
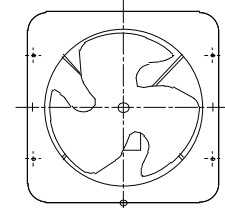
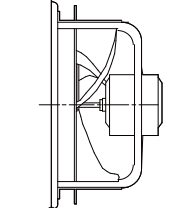
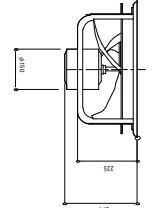
	 <p>380 175 360</p>			 <p>□290 158 97</p>
	 <p>350 354 176</p>			 <p>□290 158 97</p>
	 <p>□227 298 255 165 165 288 MM-φ7 MM-φ7</p>			 <p>163</p>
 <p>φ97 171 164</p>	 <p>2-φ15 (標準φ穴) 電風式レベラー-取組用 102 194 2-φ10 (標準φ穴) 取付穴φ10 (取付) 2-φ11 (穴径変更標準φ穴、穴径保証あり) 298 298 165 165 227 327</p>	 <p>327 327</p>	 <p>φ97 171 164 21 21 取組先位置 取組先位置</p>	 <p>171 164 21 φ97 取組先位置</p>
	 <p>MM-φ10 327 298 165 327</p>			 <p>171 164 φ97</p>

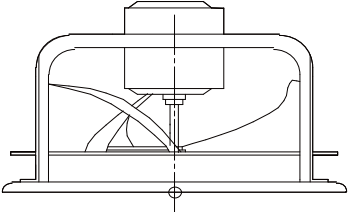
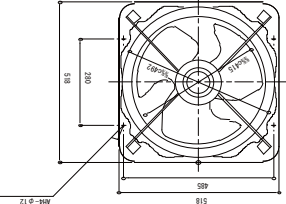
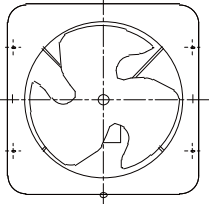
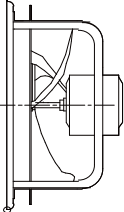
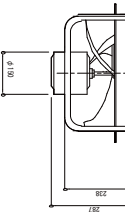
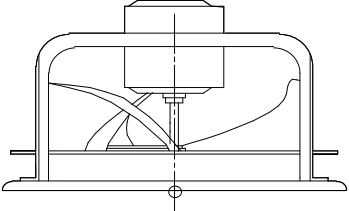
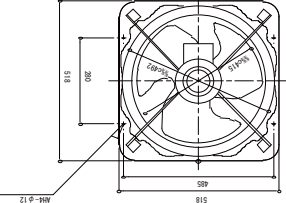
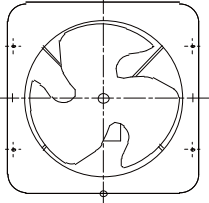
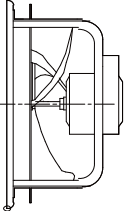
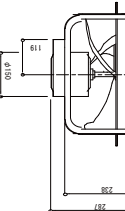
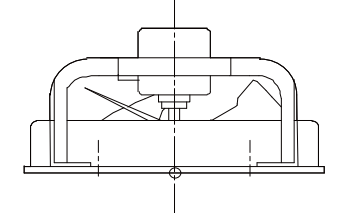
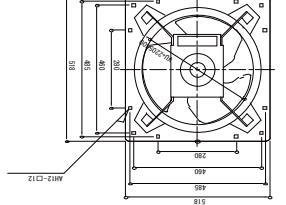
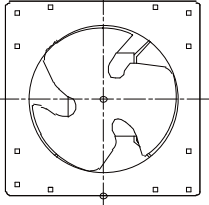
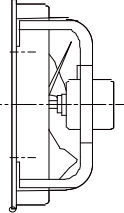
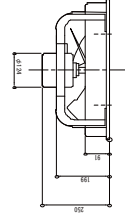
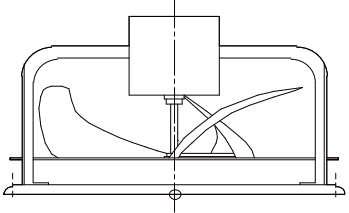
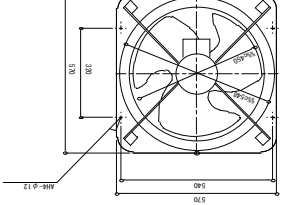
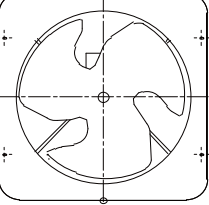
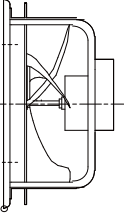
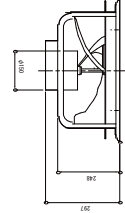
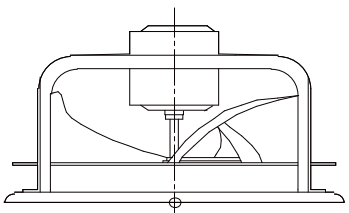
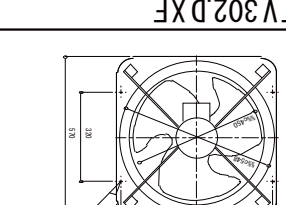
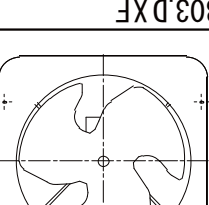
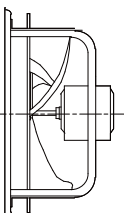
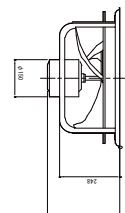
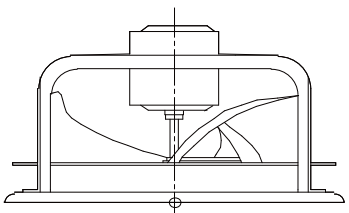
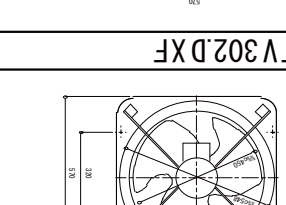
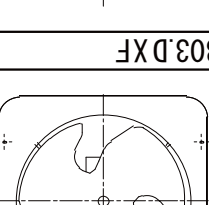
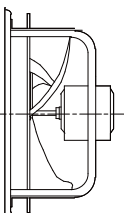
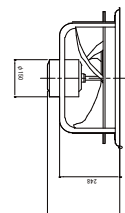
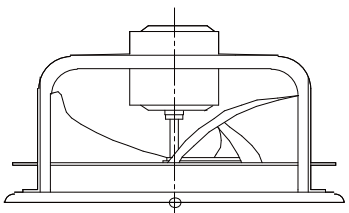
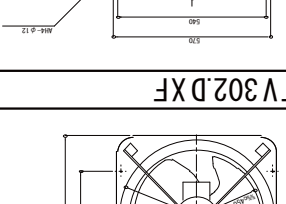
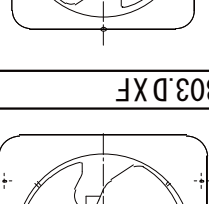
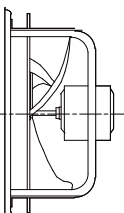
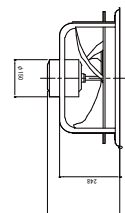
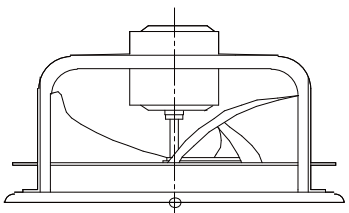
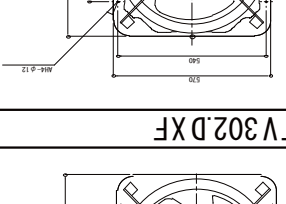
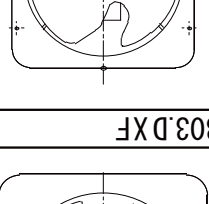
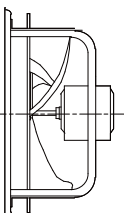
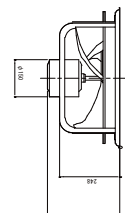
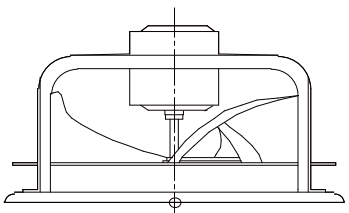
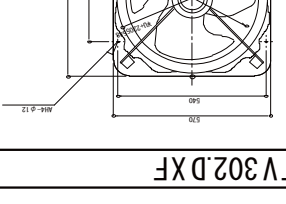
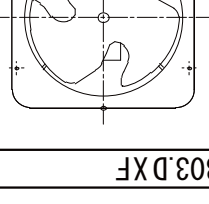
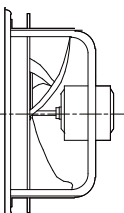
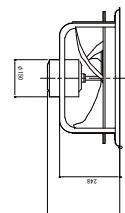
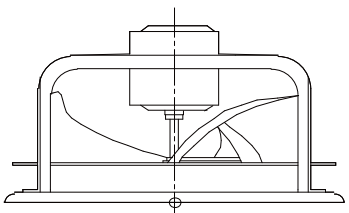
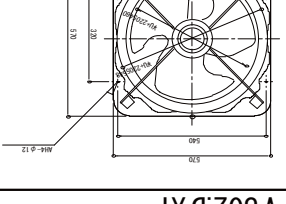
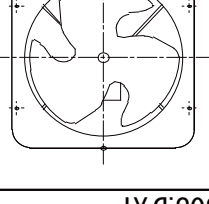
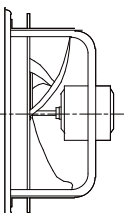
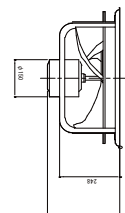
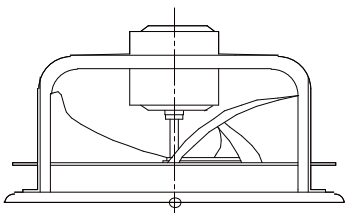
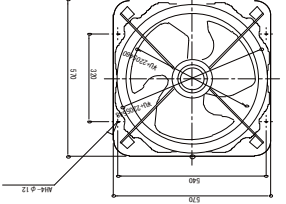
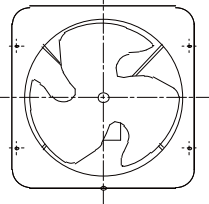
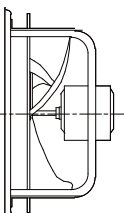
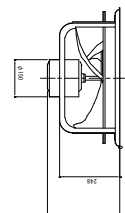
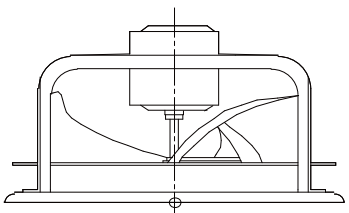
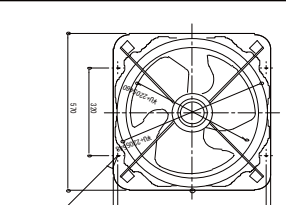
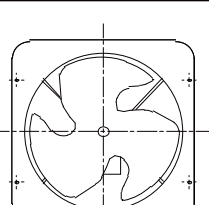
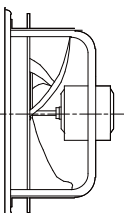
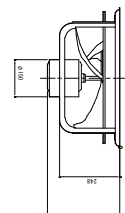
25LSM 001.DXF					
25LST001.DXF					
25LSX001.DXF					
30AEY201.DXF					
30DEY201.DXF					

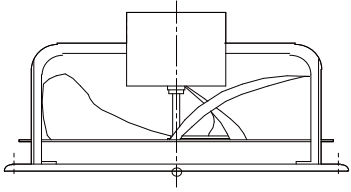
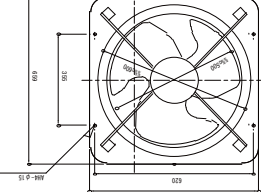
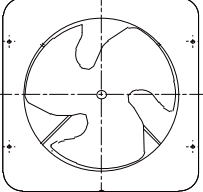
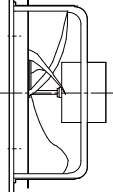
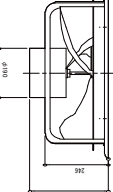
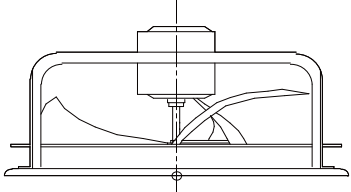
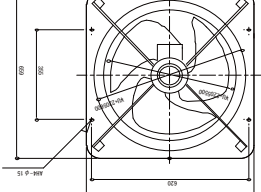
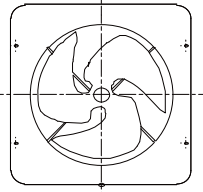
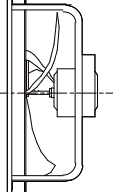
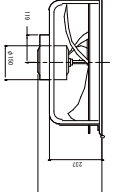
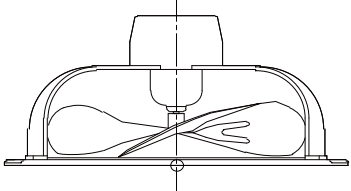
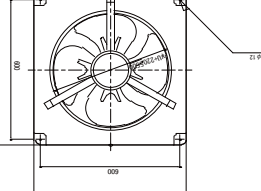

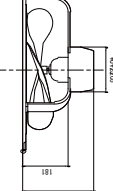
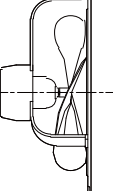
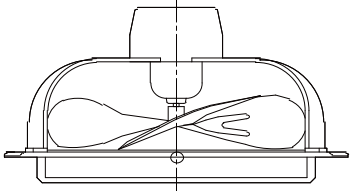
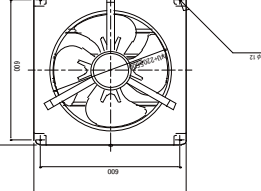
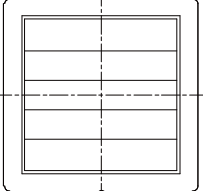
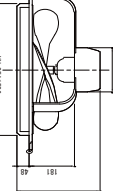
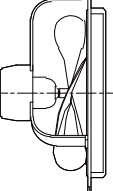
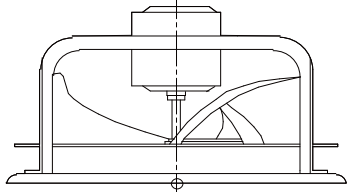
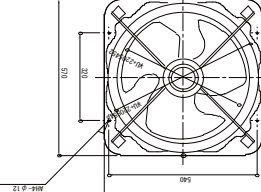
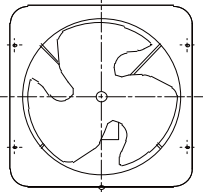
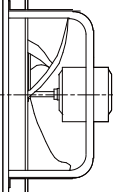
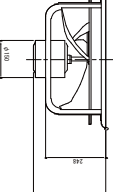







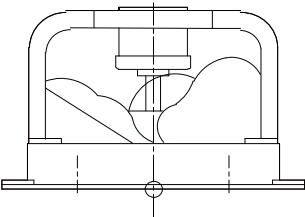
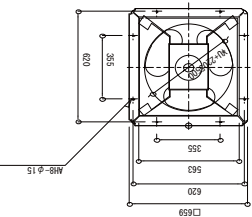
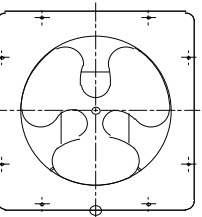
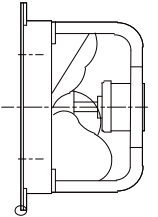
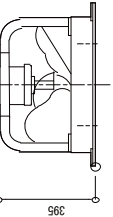
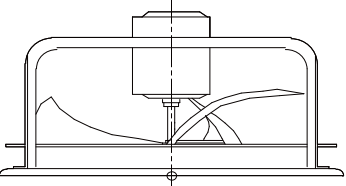
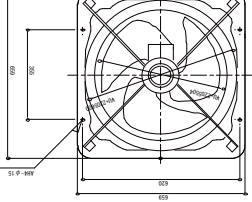
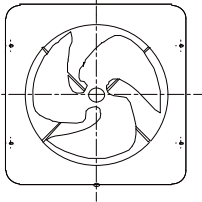
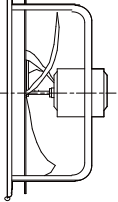
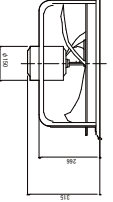
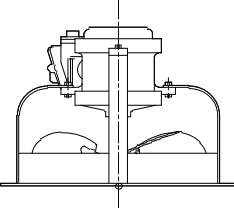
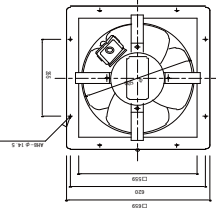
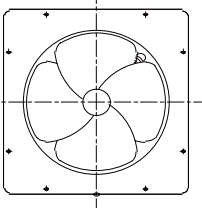
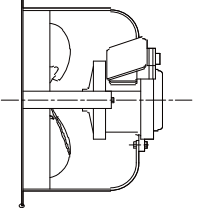
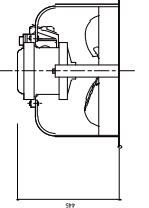
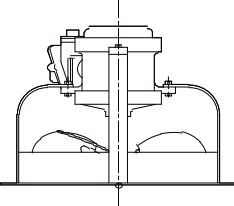
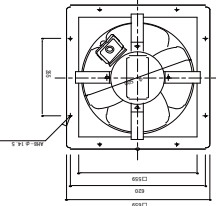
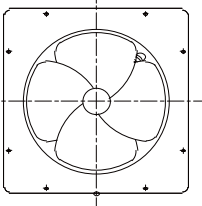
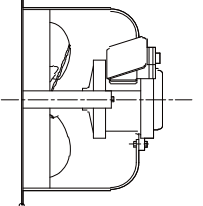
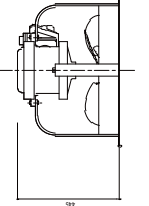
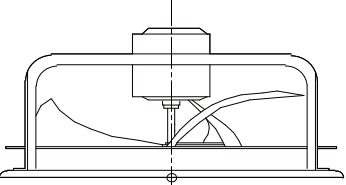
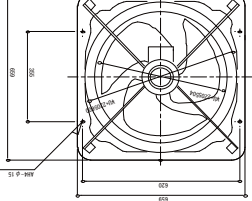
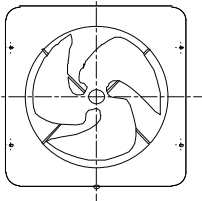
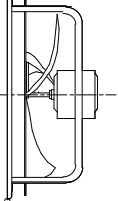
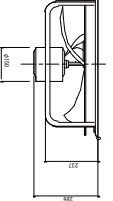





30LSEW C1.DXF	30LSEW C4.DXF	30LSEW C3.DXF	30LSEW C2.DXF	30LSEW C1.DXF
30LSEW G5.DXF	30LSEW G4.DXF	30LSEW G3.DXF	30LSEW G2.DXF	30LSEW G1.DXF
30LSEW 005.DXF	30LSEW 004.DXF	30LSEW 003.DXF	30LSEW 002.DXF	30LSEW 001.DXF
30LSM 005.DXF	30LSM 004.DXF	30LSM 003.DXF	30LSM 002.DXF	30LSM 001.DXF
30LST 005.DXF	30LST 004.DXF	30LST 003.DXF	30LST 002.DXF	30LST 001.DXF
30LSX 005.DXF	30LSX 004.DXF	30LSX 003.DXF	30LSX 002.DXF	30LSX 001.DXF

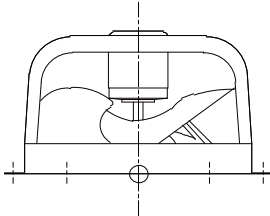
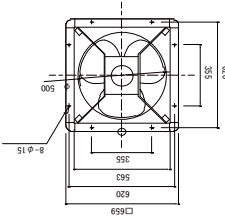
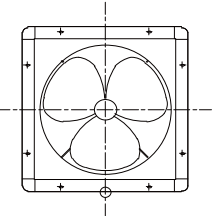
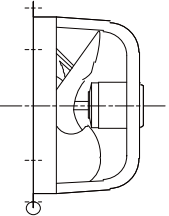
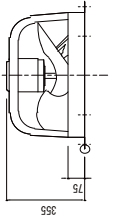
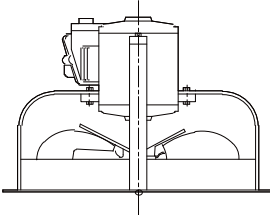
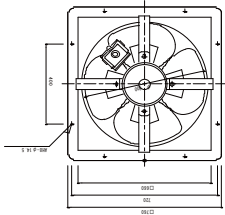
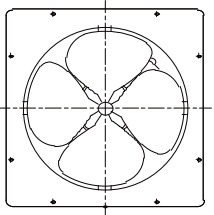
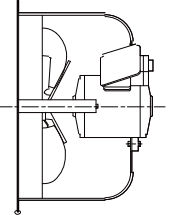
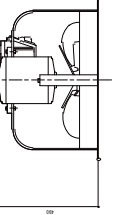
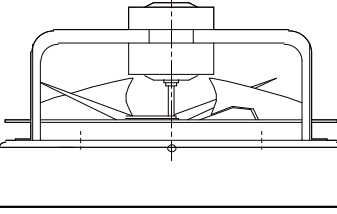
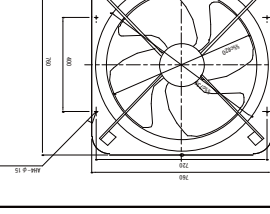
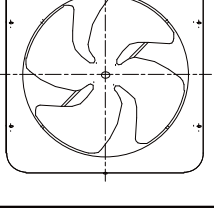
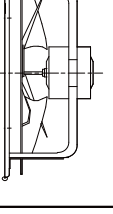
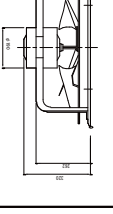
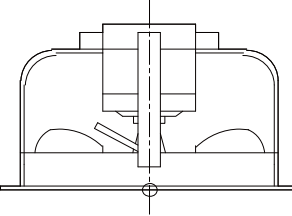
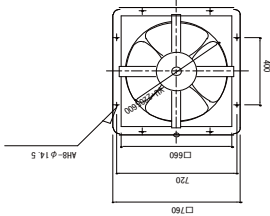
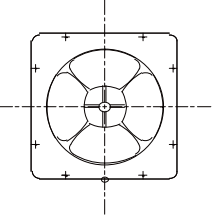
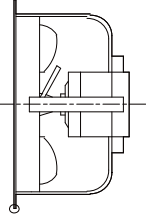
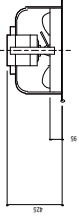
				
				
				
				
				
				

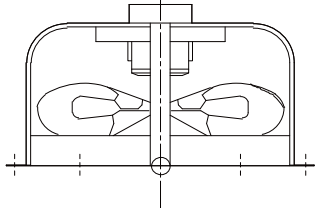
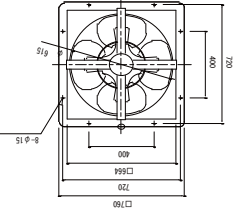
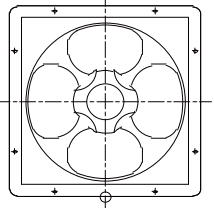
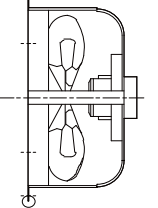
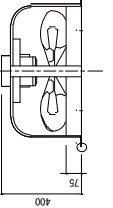
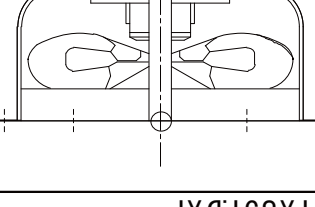
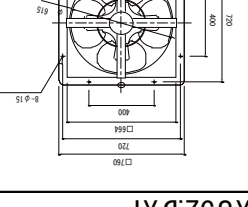
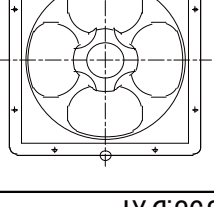
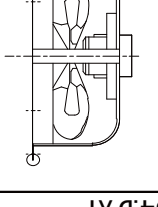
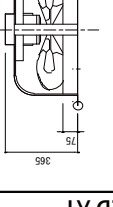
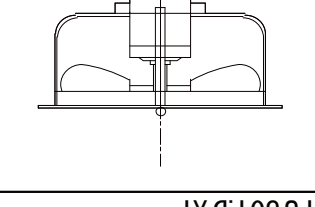
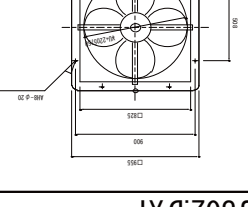
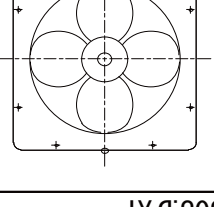
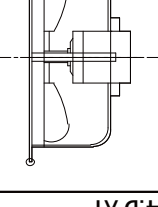
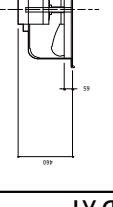
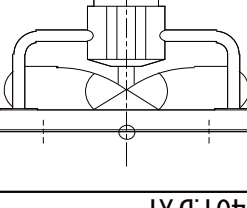
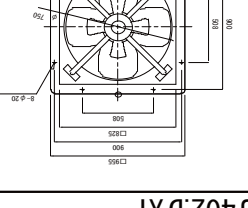
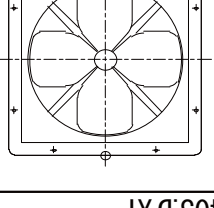
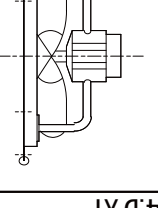
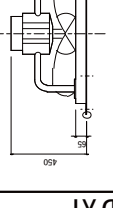
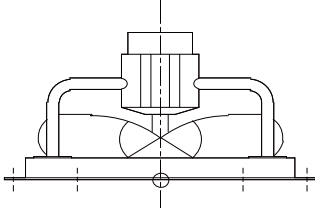
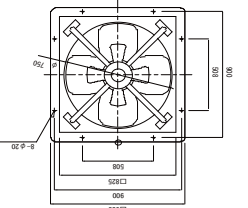
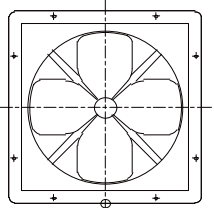
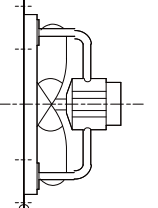
40D EY201.DXF		40D EY202.DXF		40D EY203.DXF		40D EY204.DXF		40D EY205.DXF	
40G SV301.DXF		40G SV302.DXF		40G SV303.DXF		40G SV304.DXF		40G SV305.DXF	
40G SX401.DXF		40G SX402.DXF		40G SX403.DXF		40G SX404.DXF		40G SX405.DXF	
40G TB301.DXF		40G TB302.DXF		40G TB303.DXF		40G TB304.DXF		40G TB305.DXF	
40G TV301.DXF		40G TV302.DXF		40G TV303.DXF		40G TV304.DXF		40G TV305.DXF	

40K TV 301.DXF					
40M SV 301.DXF					
40M SX 401.DXF					
40M SV 302.DXF					
40M SX 402.DXF					
45G SV 301.DXF					
45G SV 302.DXF					
45G TV 301.DXF					
45G TV 302.DXF					
45G TV 303.DXF					
45G TV 304.DXF					
45G TV 305.DXF					

50M TX501.DXF		50M TX502.DXF		50M TX503.DXF		50M TX504.DXF		50M TX505.DXF	
60M TB301.DXF		60M TB302.DXF		60M TB303.DXF		60M TB304.DXF		60M TB305.DXF	
60M TV301.DXF		60M TV302.DXF		60M TV303.DXF		60M TV304.DXF		60M TV305.DXF	
60M TX401.DXF		60M TX402.DXF		60M TX403.DXF		60M TX404.DXF		60M TX405.DXF	

60M TX501.DXF		60M TX502.DXF		60M TX503.DXF		60M TX504.DXF		60M TX505.DXF	
60M TXS41.DXF		60M TXS42.DXF		60M TXS43.DXF		60M TXS44.DXF		60M TXS45.DXF	
60M TXS51.DXF		60M TXS52.DXF		60M TXS53.DXF		60M TXS54.DXF		60M TXS55.DXF	
75KTU301.DXF		75KTU302.DXF		75KTU303.DXF		75KTU304.DXF		75KTU305.DXF	
75KTU401.DXF		75KTU402.DXF		75KTU403.DXF		75KTU404.DXF		75KTU405.DXF	