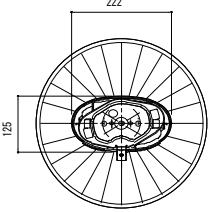
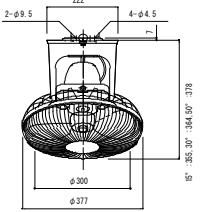
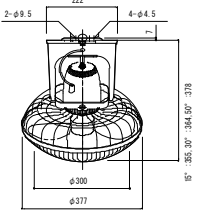
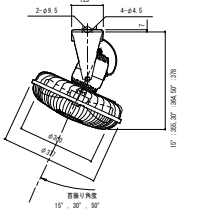
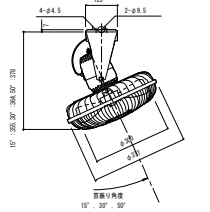
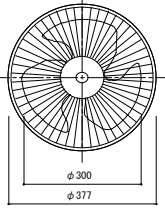
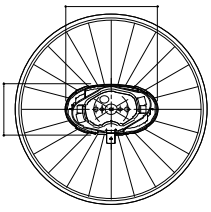
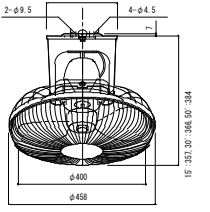
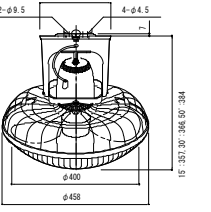
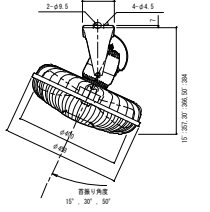
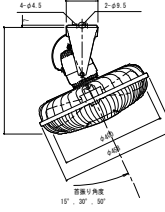
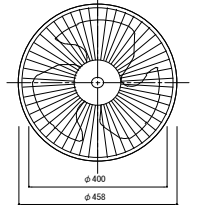
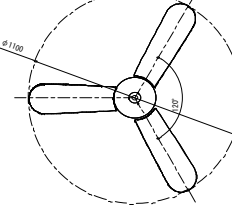
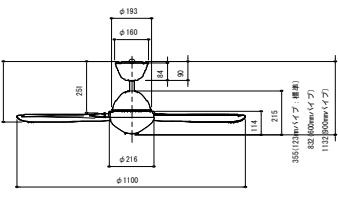
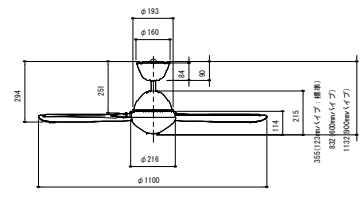
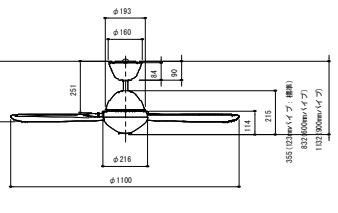
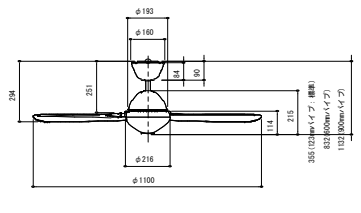
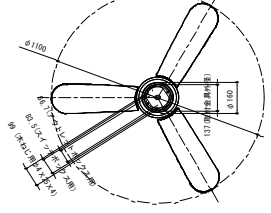
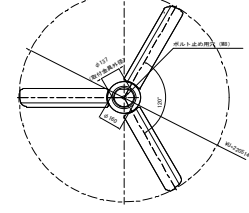
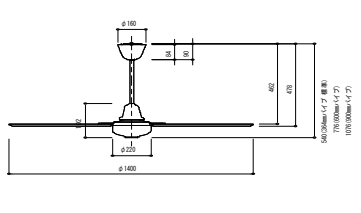
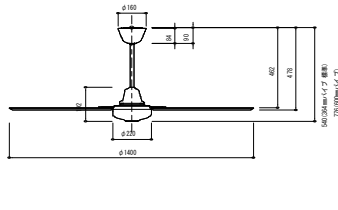
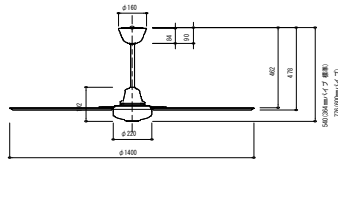
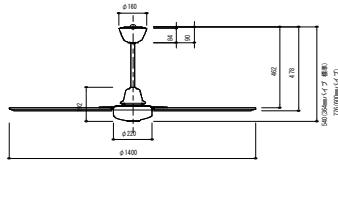
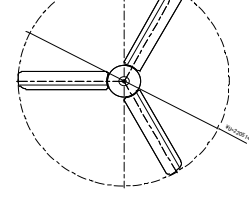
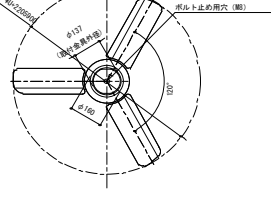
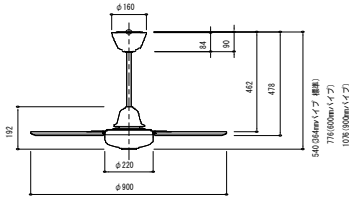
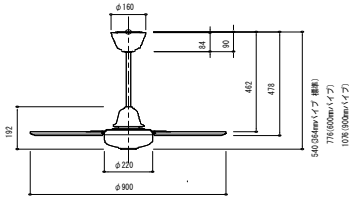
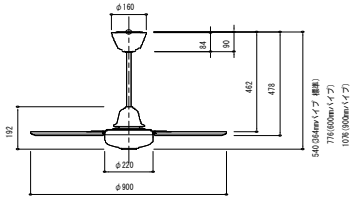
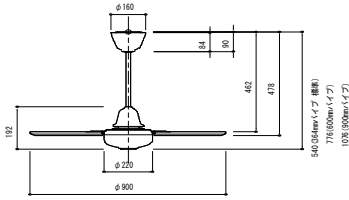
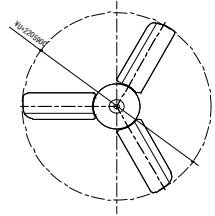
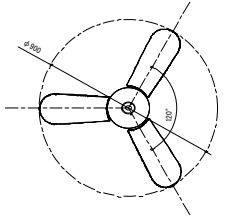
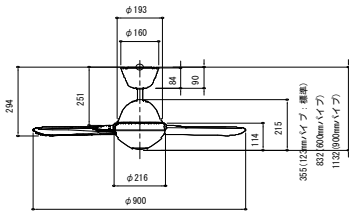
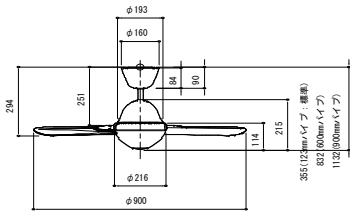
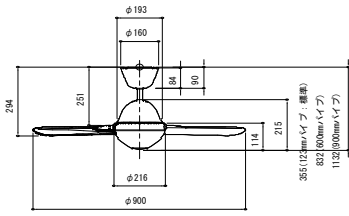
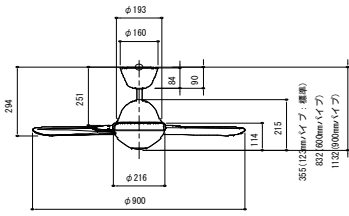
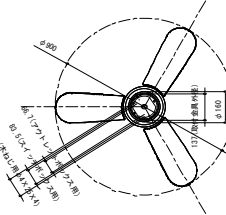
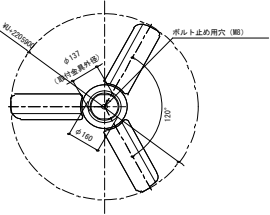
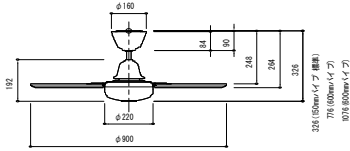
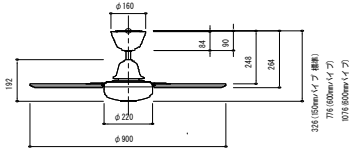
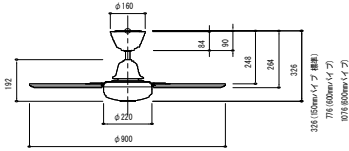
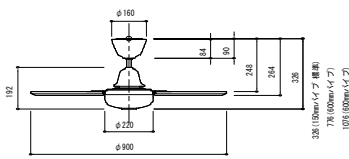
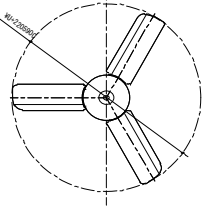
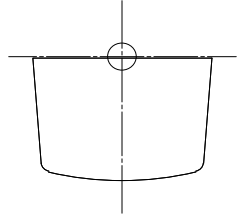
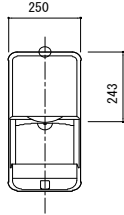
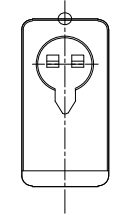
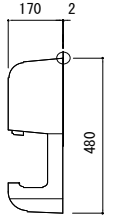
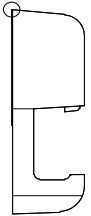
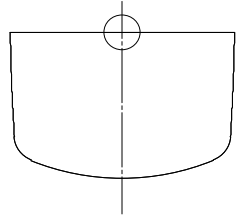
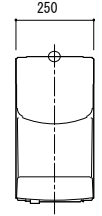
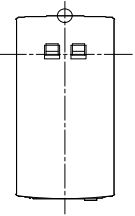
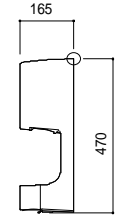
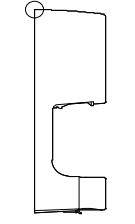
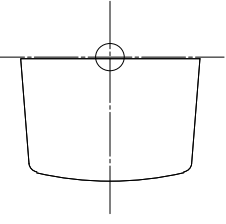
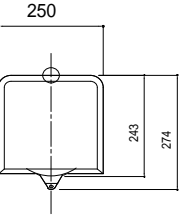
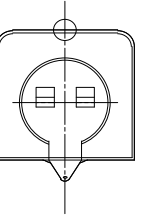
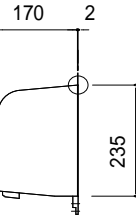
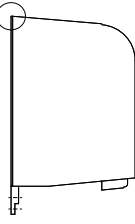
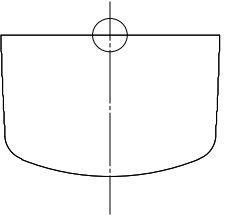
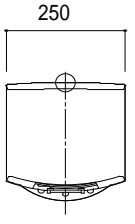
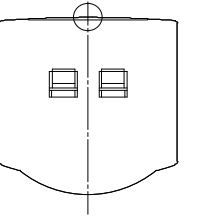
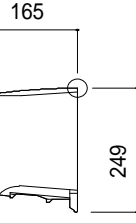
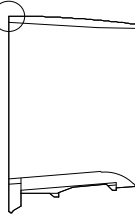
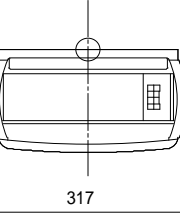
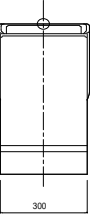
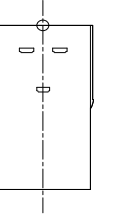
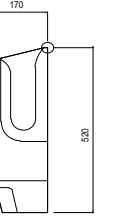
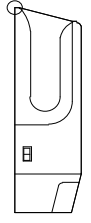
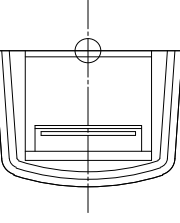
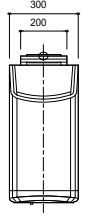

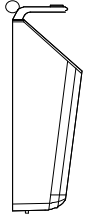
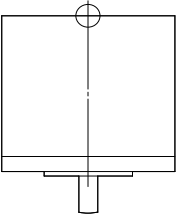
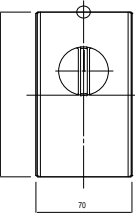
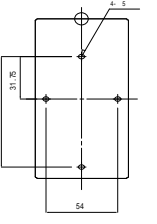
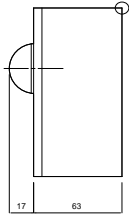
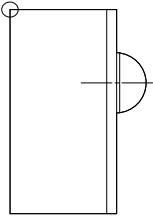
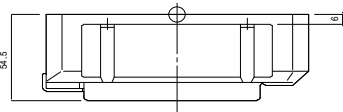
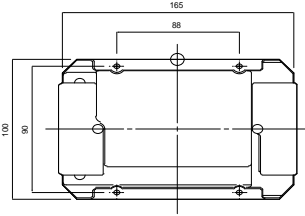
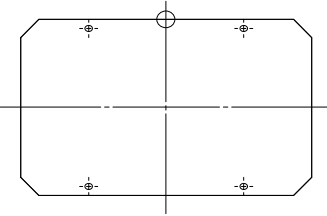
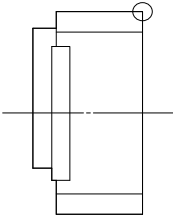
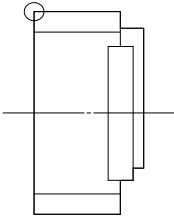
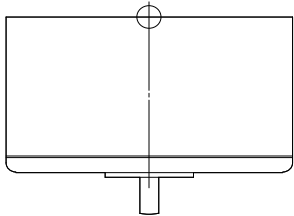
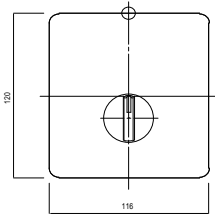
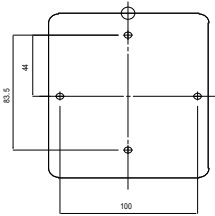
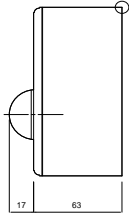


<p>LA301SH1.DXF</p> 	<p>LA301SH2.DXF</p> 	<p>LA301SH3.DXF</p> 	<p>LA301SH4.DXF</p> 	<p>LA301SH5.DXF</p> 
<p>LA301SH6.DXF</p> 	<p>LA401SH1.DXF</p> 	<p>LA401SH2.DXF</p> 	<p>LA401SH3.DXF</p> 	<p>LA401SH4.DXF</p> 
<p>LA401SH5.DXF</p> 	<p>LA401SH6.DXF</p> 	<p>M111WW01.DXF</p> 	<p>M111WW02.DXF</p> 	<p>M111WW03.DXF</p> 
<p>M111WW04.DXF</p> 	<p>M111WW05.DXF</p> 	<p>M111WW06.DXF</p> 	<p>M140W001.DXF</p> 	<p>M140W002.DXF</p> 
<p>M140W003.DXF</p> 	<p>M140W004.DXF</p> 	<p>M140W005.DXF</p> 	<p>M140W006.DXF</p> 	<p>M900W001.DXF</p> 

<p>M900W002.DXF</p> 	<p>M900W003.DXF</p> 	<p>M900W004.DXF</p> 	<p>M900W005.DXF</p> 	<p>M900W006.DXF</p> 
<p>M901WW01.DXF</p> 	<p>M901WW02.DXF</p> 	<p>M901WW03.DXF</p> 	<p>M901WW04.DXF</p> 	<p>M901WW05.DXF</p> 
<p>M901WW06.DXF</p> 	<p>M90MW001.DXF</p> 	<p>M90MW002.DXF</p> 	<p>M90MW003.DXF</p> 	<p>M90MW004.DXF</p> 
<p>M90MW005.DXF</p> 	<p>M90MW006.DXF</p> 	<p>T09F1W01.DXF</p> 	<p>T09F1W02.DXF</p> 	<p>T09F1W03.DXF</p> 
<p>T09F1W04.DXF</p> 	<p>T09F1W05.DXF</p> 	<p>T09F2W01.DXF</p> 	<p>T09F2W02.DXF</p> 	<p>T09F2W03.DXF</p> 

<p>T09F2W04.DXF</p> 	<p>T09F2W05.DXF</p> 	<p>T09G1W01.DXF</p> 	<p>T09G1W02.DXF</p> 	<p>T09G1W03.DXF</p> 
<p>T09G1W04.DXF</p> 	<p>T09G1W05.DXF</p> 	<p>T09G2W01.DXF</p> 	<p>T09G2W02.DXF</p> 	<p>T09G2W03.DXF</p> 
<p>T09G2W04.DXF</p> 	<p>T09G2W05.DXF</p> 	<p>T10S2W01.DXF</p> 	<p>T10S2W02.DXF</p> 	<p>T10S2W03.DXF</p> 
<p>T10S2W04.DXF</p> 	<p>T10S2W05.DXF</p> 	<p>T12H1W01.DXF</p> 	<p>T12H1W02.DXF</p> 	<p>T12H1W03.DXF</p> 
<p>T12H1W04.DXF</p> 	<p>T12H1W05.DXF</p> 	<p>ZL1RW001.DXF</p> 	<p>ZL1RW002.DXF</p> 	<p>ZL1RW003.DXF</p> 

<p>ZL1RW004.DXF</p> 	<p>ZL1RW005.DXF</p> 	<p>ZL2CW001.DXF</p> 	<p>ZL2CW002.DXF</p> 	<p>ZL2CW003.DXF</p> 
<p>ZL2CW004.DXF</p> 	<p>ZL2CW005.DXF</p> 	<p>ZL2RY001.DXF</p> 	<p>ZL2RY002.DXF</p> 	<p>ZL2RY003.DXF</p> 
<p>ZL2RY004.DXF</p> 	<p>ZL2RY005.DXF</p> 